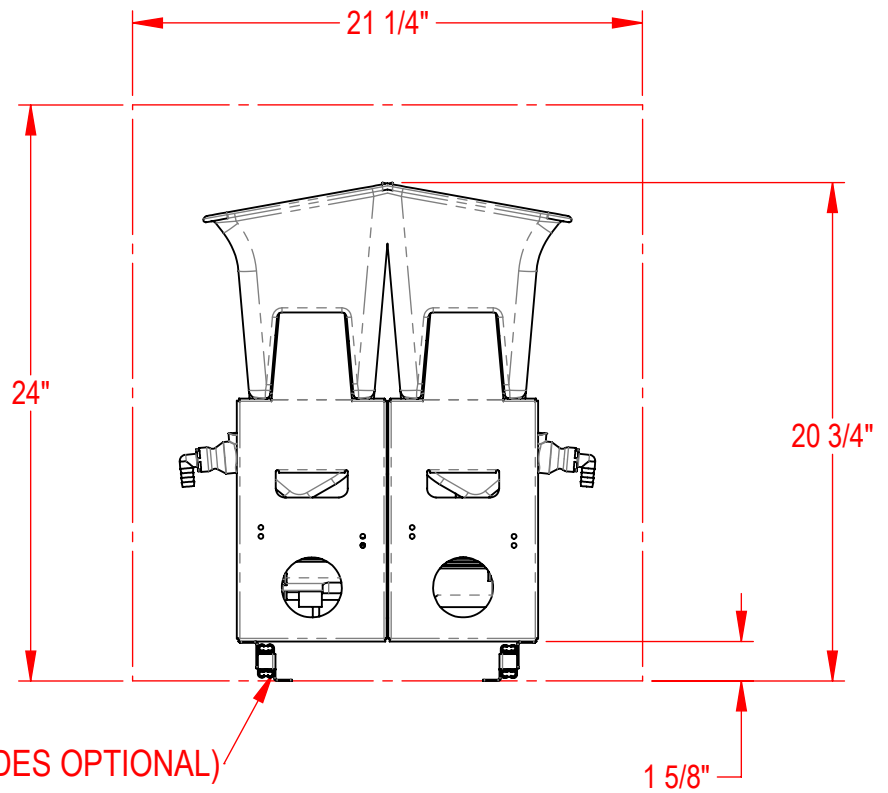
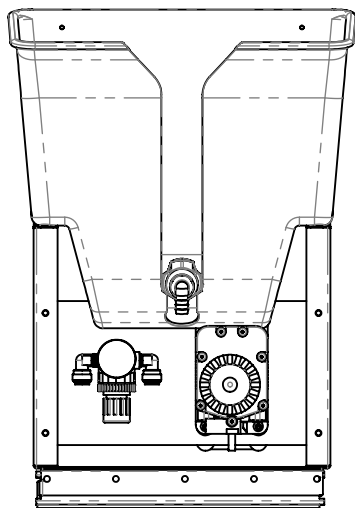
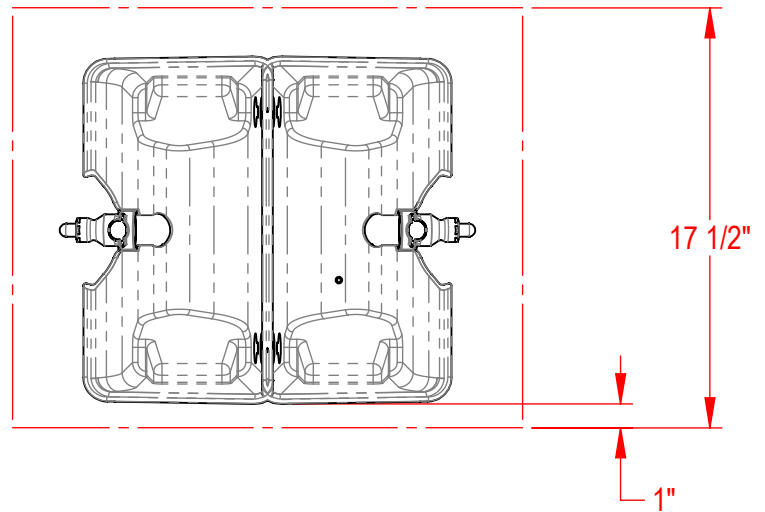


Wunder-Bar Condiment Delivery System "Gas" type product pump

WB-CDS-2G (2-product, 2-bag holder)



WB-CDS-2G (2-product, 2-bag holder) / 15 Nov 2017

AUTOMATIC BAR CONTROLS, INC.
2060 CESSNA DR, SUITE 100
VACAVILLE, CA 95688

Wunder-Bar™

PHONE: (707) 448-5151
FAX : (707) 448-1521
WWW.WUNDERBAR.COM