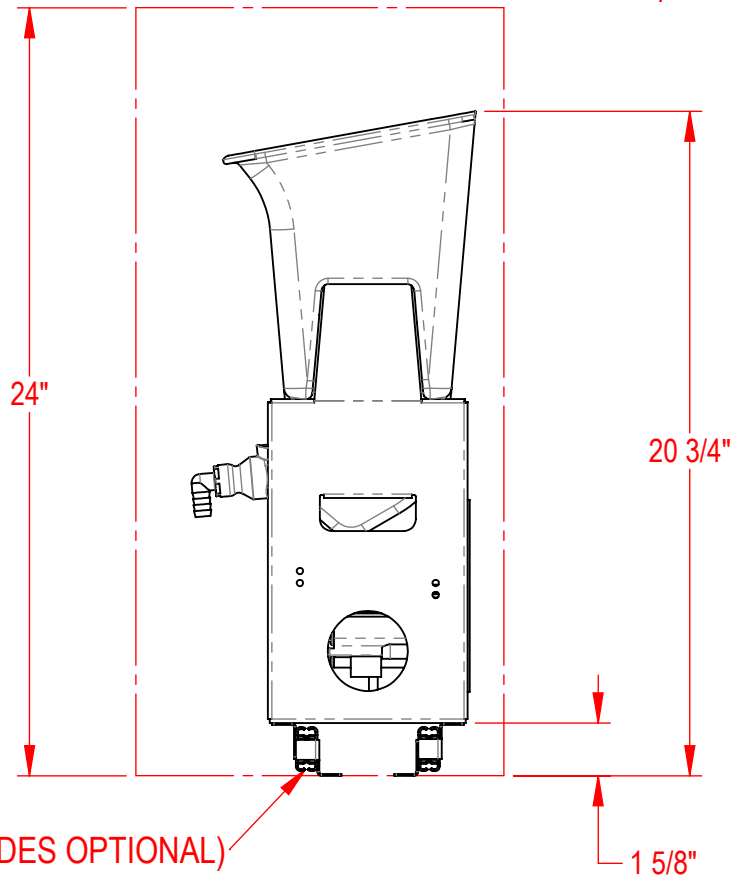
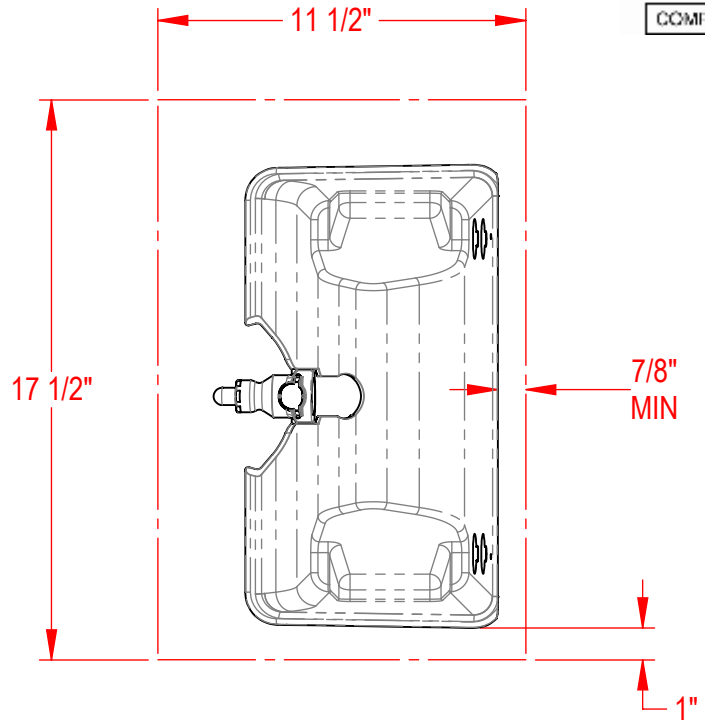


# Wunder-Bar Condiment Delivery System "Gas" type product pump

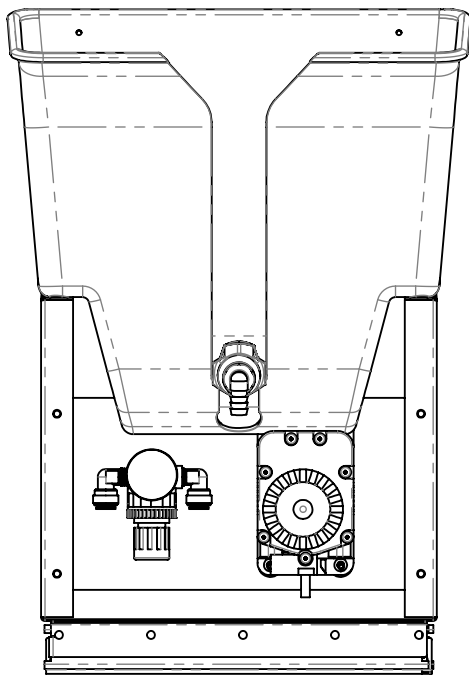
WB-CDS-1G (1-product, 1-bag holder)



COMPONENT



(SLIDES OPTIONAL)



WB-CDS-1G (1-product, 1-bag holder) / 15 Nov 2017

AUTOMATIC BAR CONTROLS, INC.  
2060 CESSNA DR, SUITE 100  
VACAVILLE, CA 95688

**Wunder-Bar™**

PHONE: (707) 448-5151  
FAX : (707) 448-1521  
WWW.WUNDERBAR.COM